

## GENERAL NOTES

THIS DRAWING SHALL BE READ IN CONJUNCTION WITH THE RELEVANT SPECIFICATIONS.

DO NOT SCALE FROM THIS DRAWING, USE ONLY FIGURED DIMENSIONS.

A DISTANCE OF 1 METRE FROM THE ROOF MEMBRANE MUST BE MAINTAINED WHEN BUILDING ANY INTERNAL STRUCTURES WITHIN THIS TENT, INCLUDING LIGHTING RIGS.

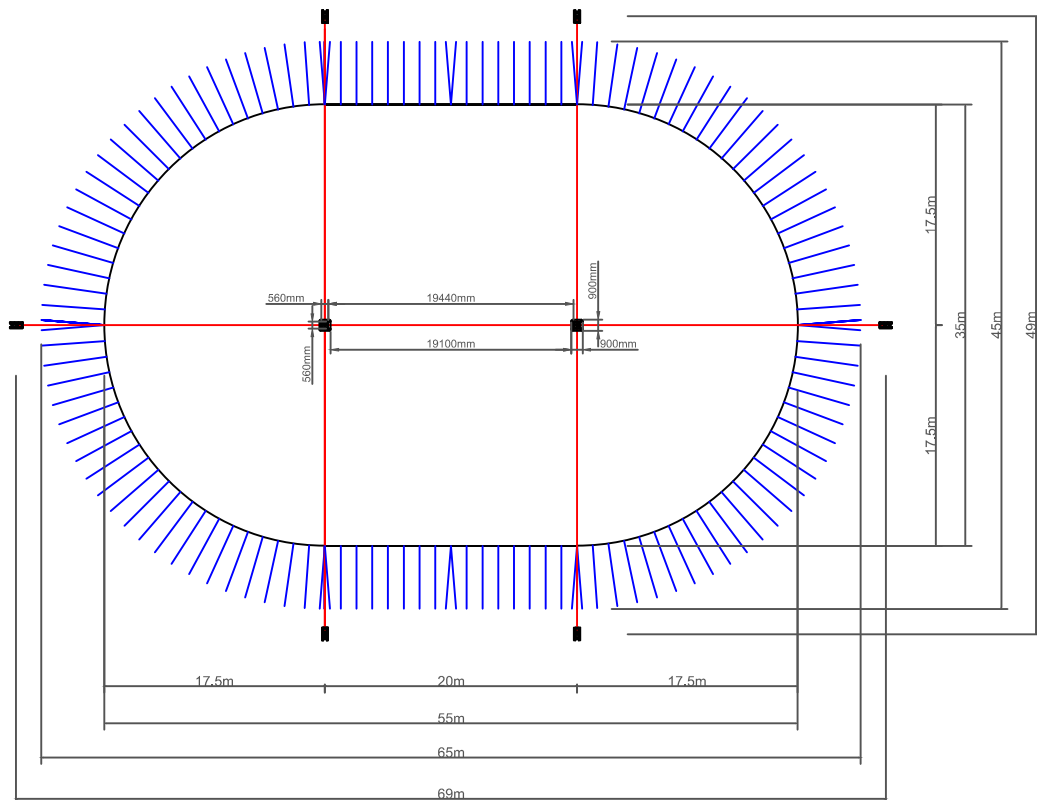
THIS DRAWING IS COPYRIGHT. ©

AJ Big Top Hire  
America Farm Cottage  
Oxney Road  
Peterborough  
PE1 5YR



JOB No.	SERIES	DRAWING No.	SHEET
5535	GA	001	1 of 5

## NOTES



### AJ Big Top Hire

E-Mail: [info@ajbigtophire.com](mailto:info@ajbigtophire.com)  
Web: [www.ajbigtophire.com](http://www.ajbigtophire.com)

Tel:  
Fax:

01733 222 999  
01733 222 997

## GENERAL NOTES

THIS DRAWING SHALL BE READ IN CONJUNCTION WITH THE RELEVANT SPECIFICATIONS.

DO NOT SCALE FROM THIS DRAWING, USE ONLY FIGURED DIMENSIONS.

A DISTANCE OF 1 METRE FROM THE ROOF MEMBRANE MUST BE MAINTAINED WHEN BUILDING ANY INTERNAL STRUCTURES WITHIN THIS TENT, INCLUDING LIGHTING RIGS.

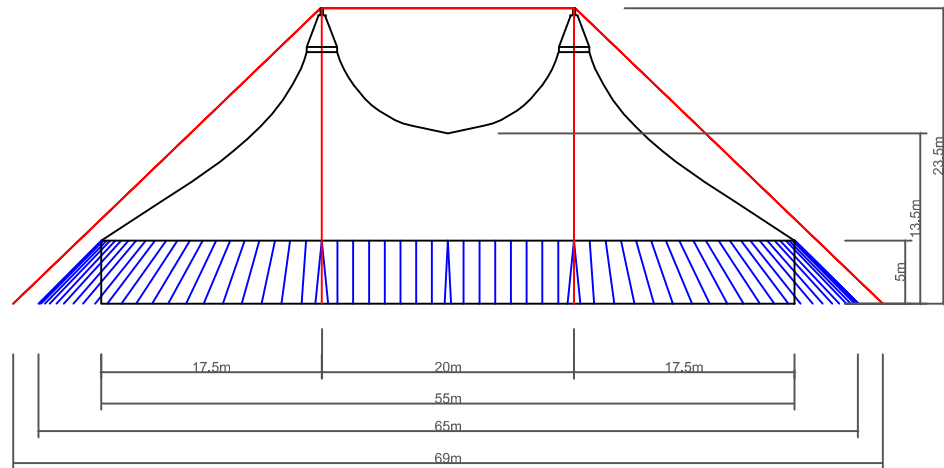
THIS DRAWING IS COPYRIGHT. ©

AJ Big Top Hire  
America Farm Cottage  
Oxney Road  
Peterborough  
PE1 5YR



JOB No.	SERIES	DRAWING No.	SHEET
5535	GA	001	2 of 5

## NOTES



### AJ Big Top Hire

E-Mail:  
Web:

info@ajbigtophire.com  
www.ajbigtophire.com

Tel:  
Fax:

01733 222 999  
01733 222 997

## GENERAL NOTES

THIS DRAWING SHALL BE READ IN CONJUNCTION WITH THE RELEVANT SPECIFICATIONS.

DO NOT SCALE FROM THIS DRAWING, USE ONLY FIGURED DIMENSIONS.

A DISTANCE OF 1 METRE FROM THE ROOF MEMBRANE MUST BE MAINTAINED WHEN BUILDING ANY INTERNAL STRUCTURES WITHIN THIS TENT, INCLUDING LIGHTING RIGS.

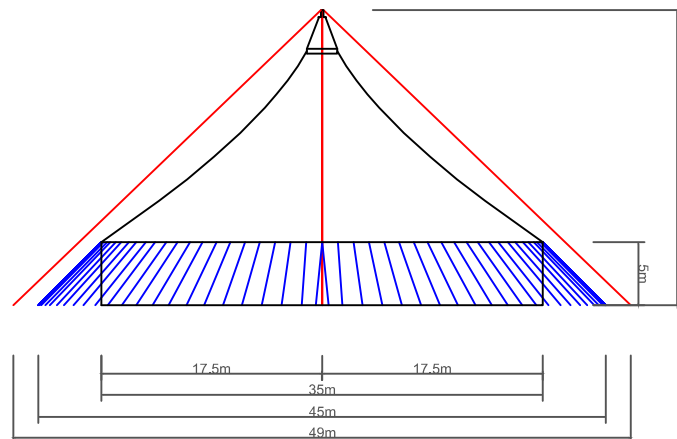
THIS DRAWING IS COPYRIGHT. ©

AJ Big Top Hire  
America Farm Cottage  
Oxney Road  
Peterborough  
PE1 5YR



JOB No.	SERIES	DRAWING No.	SHEET
5535	GA	001	3 of 5

## NOTES



### AJ Big Top Hire

E-Mail:  
Web:

info@ajbigtophire.com  
www.ajbigtophire.com

Tel:  
Fax:

01733 222 999  
01733 222 997

# GENERAL NOTES

THIS DRAWING SHALL BE READ IN CONJUNCTION WITH THE RELEVANT SPECIFICATIONS.

DO NOT SCALE FROM THIS DRAWING, USE ONLY FIGURED DIMENSIONS.

A DISTANCE OF 1 METRE FROM THE ROOF MEMBRANE MUST BE MAINTAINED WHEN BUILDING ANY INTERNAL STRUCTURES WITHIN THIS TENT, INCLUDING LIGHTING RIGS.

THIS DRAWING IS COPYRIGHT. ©

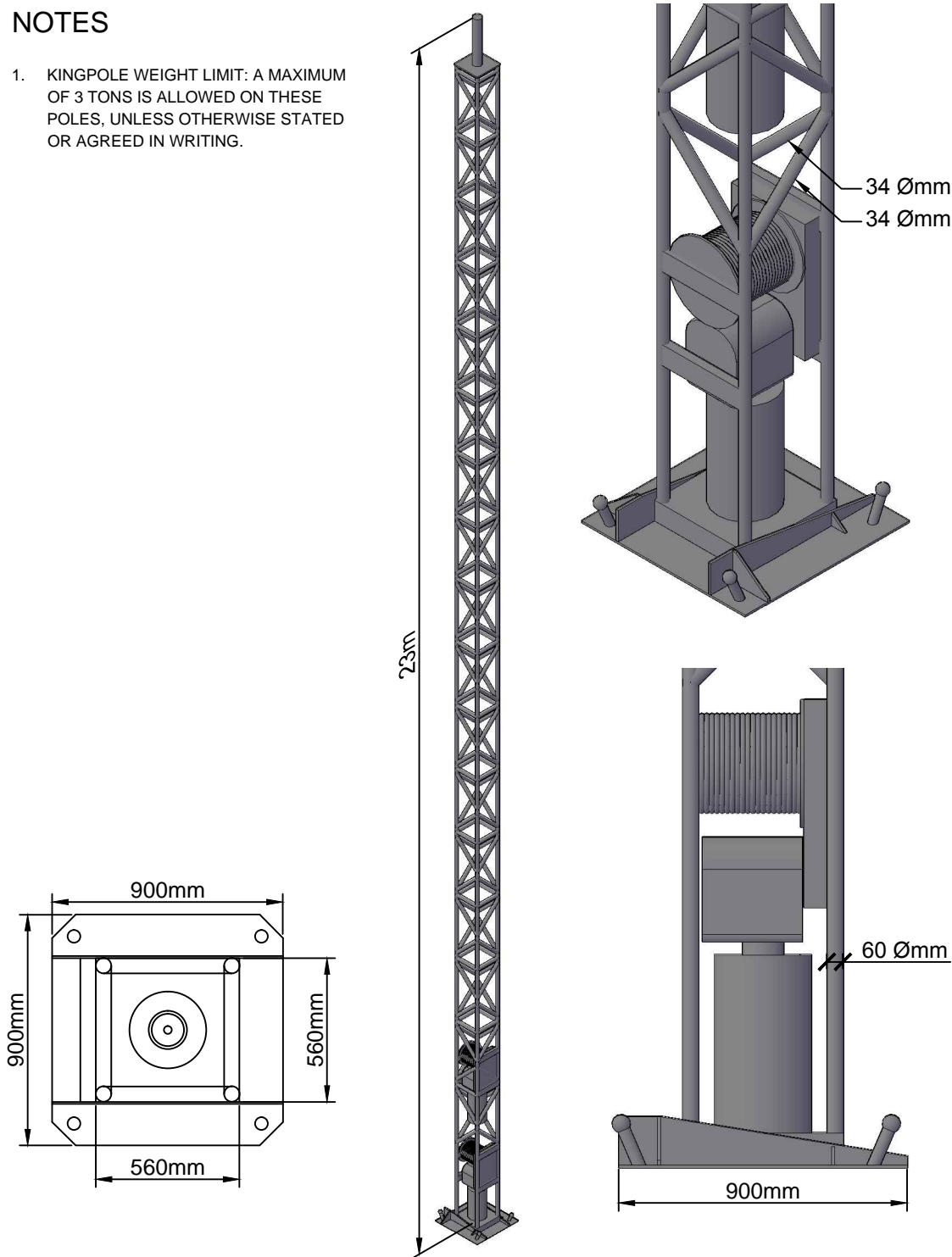
AJ Big Top Hire  
 America Farm Cottage  
 Oxney Road  
 Peterborough  
 PE1 5YR



JOB No.	SERIES	DRAWING No.	SHEET
5535	GA	001	4 of 5

## NOTES

1. KINGPOLE WEIGHT LIMIT: A MAXIMUM OF 3 TONS IS ALLOWED ON THESE POLES, UNLESS OTHERWISE STATED OR AGREED IN WRITING.



**SUPPORT POLE & BASE PLATE DETAILS**  
 (NTS)

### AJ Big Top Hire

E-Mail: info@ajbigtophire.com    Tel: 01733 222 999  
 Web: www.ajbigtophire.com    Fax: 01733 222 997

## GENERAL NOTES

THIS DRAWING SHALL BE READ IN CONJUNCTION WITH THE RELEVANT SPECIFICATIONS.

DO NOT SCALE FROM THIS DRAWING, USE ONLY FIGURED DIMENSIONS.

A DISTANCE OF 1 METRE FROM THE ROOF MEMBRANE MUST BE MAINTAINED WHEN BUILDING ANY INTERNAL STRUCTURES WITHIN THIS TENT, INCLUDING LIGHTING RIGS.

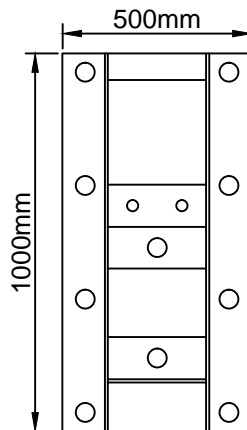
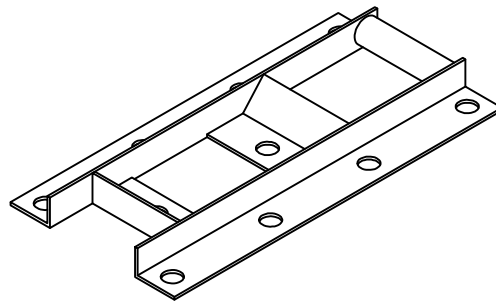
THIS DRAWING IS COPYRIGHT. ©

AJ Big Top Hire  
America Farm Cottage  
Oxney Road  
Peterborough  
PE1 5YR



JOB No.	SERIES	DRAWING No.	SHEET
5535	GA	001	5 of 5

## NOTES



MAIN GUY WIRE BASE PLATE DETAILS  
(NTS)

### **AJ Big Top Hire**

E-Mail:  
Web:

info@ajbigtophire.com  
www.ajbigtophire.com

Tel:  
Fax:

01733 222 999  
01733 222 997