



TSUDAKOMA

RNE Series

Superior Quality **ECONOMIC PRICING**



DMG MORI

QUALIFIED PRODUCTS

DuraVertical 635 ECOLINE

DuraVertical 1035 ECOLINE



20 Thompson Rd | East Windsor | CT 06088
1.800.249.5662 | 860.623.4132 Fax
www.komaprecision.com | info@komaprecision.com

DMG MORI

QUALIFIED PRODUCTS



DuraVertical 635 ECOLINE



DuraVertical 1035 ECOLINE

| | | RNE-160R | RNE-200R | RNE-250R | RNE-320R |
|----------------------------------|-----------------------------------|------------|------------|------------|-------------|
| TSUDAKOMA | Table diameter (optional) mm | (160, 200) | (200, 250) | 250 | 320 |
| | Maximum Table Speed RPM | 44.4 | 44.4 | 33.3 | 33.3 |
| | Indexing Accuracy Repeatability | ±12 ±3.5 | ±10 ±3.5 | ±10 ±3.5 | ±15 ±3.5 |
| | Clamp System | Pneumatic | | | |
| | Clamp torque @72psi Nm (ft. lbs.) | 250 (180) | 400 (295) | 600 (442) | 1,000 (737) |
| Machine | Travel Size X Y Z | RNE-160R | RNE-200R | RNE-250R | RNE-320R |
| DuraVertical 635 ECOLINE | 25" x 20.1" x 18.1" | ■ | ■ | ■ | ■ |
| DuraVertical 1035 ECOLINE | 40.7" x 22" x 20.1" | ■ | ■ | ■ | ■ |

The RNE Series Rotary Table from Koma Precision, Inc. performs with high accuracy and fast indexing speed. Constructed with Tsudakoma’s patented dual lead gearing system guarantees wear resistance, rigidity and the rapid speeds of this rotary table.

Tsudakoma utilizes full tooth depth engagement along with a larger gear module. The results are a larger surface contact area yielding a substantially stronger worm gear system. The Tsudakoma worm wheel uses an oversize diameter pitch circle resulting in reduced pressure on the contact surface compared to a conventional gearing system. These properties, as well as ultra precision cross over roller bearings, all work to enhance system rigidity and longevity.



TORQUE TRANSFER EFFICIENCY

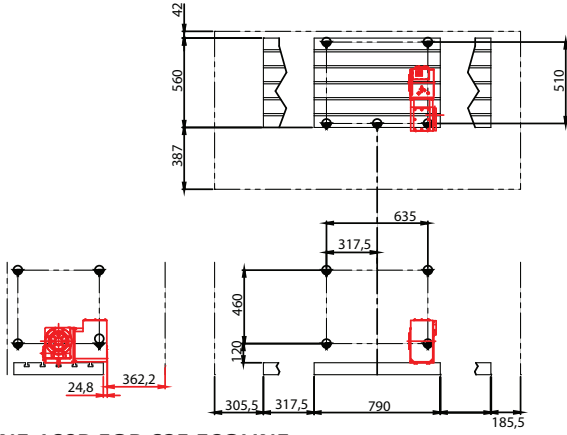
The Tsudakoma dual lead gearing system features the largest tooth engagement of any rotary table manufacturer. **This system generates up to 85% torque transfer efficiency.** Tsudakoma’s dual lead gearing system features exceptionally smooth cutting due to the inherent lubricating properties of the gear materials.



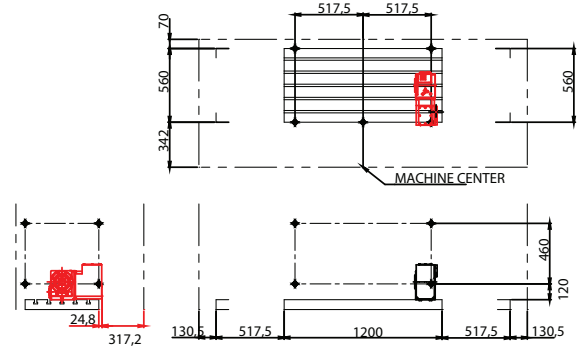
CROSS ROLLER BEARINGS

Ultra precision cross roller bearings support radial, axial, and moment loads providing four times the level of stiffness as angular contact bearings. Cross roller bearings are constructed with a sequence of cylindrical rollers arranged at right angles to each other within a sealed 90° V-groove. All Tsudakoma rotary tables and indexers use ultra precision cross roller bearings.

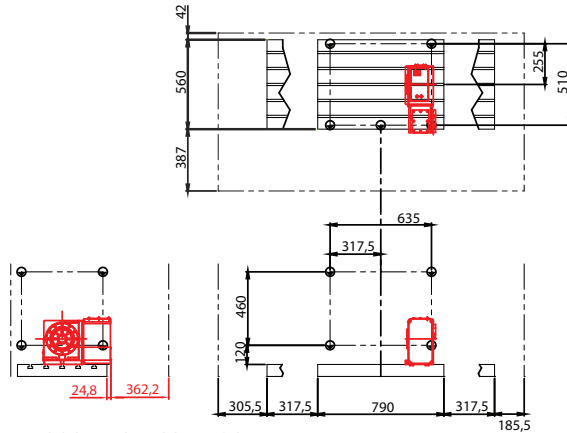
INTERFERENCE DRAWINGS FOR DURAVERTICAL ECOLINE SERIES



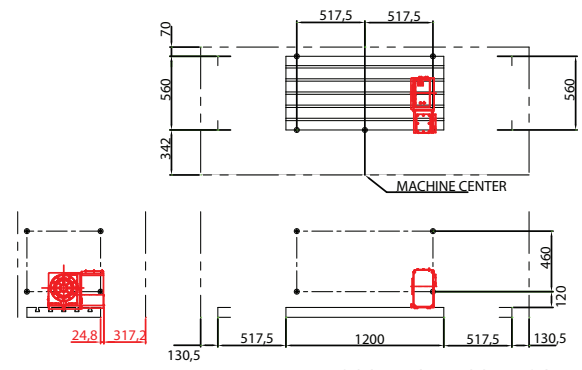
RNE-160R FOR 635 ECOLINE



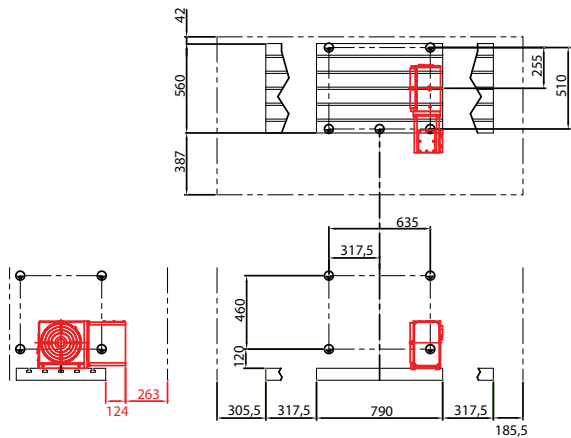
RNE-160R FOR 1035 ECOLINE



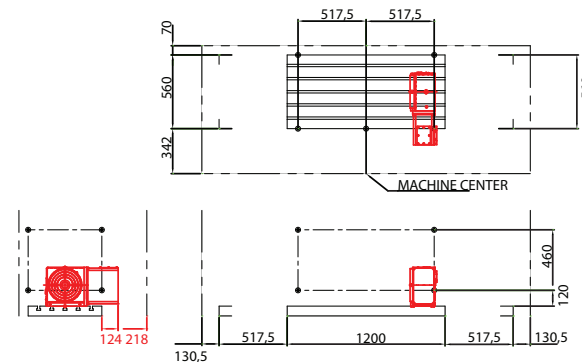
RNE-200R FOR 635 ECOLINE



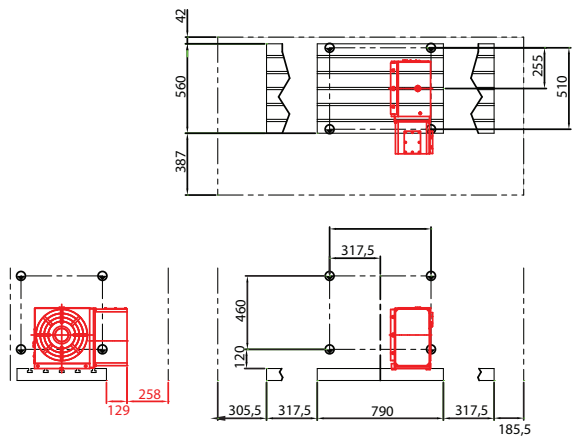
RNE-200R FOR 1035 ECOLINE



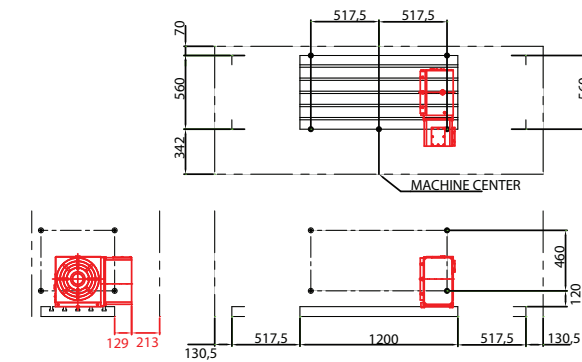
RNE-250R FOR 635 ECOLINE



RNE-250R FOR 1035 ECOLINE



RNE-320R FOR 635 ECOLINE



RNE-320R FOR 1035 ECOLINE

TSUDAKOMA RNE Series 4 AXIS ROTARY TABLES

Best value in its class
Economical. Compact. High Accuracy.

Specifications

| Table Model | | RNE-160 | RNE-200 | RNE-250 | RNE-320 |
|--|--------------------------------------|-------------------------|--------------------------|--------------------------|--------------------------|
| Versions available | | R | R | R | R |
| Spindle outer diameter | | 100h7 | 120h7 | - | - |
| Table diameter (optional) | | (160, 200) | (200, 250) | 250 | 320 |
| Center height | | 135 | 160 | 160 | 210 |
| Center bore | Nose Diameter | 55H7 | 65H7 | 75H7 | 110H7 |
| | Thru Diameter | 40 | 45 | 45 | 82 |
| Table T-slot width (with faceplate) | | (12H8) | (12H8) | (12H8) | 14H8 |
| Guide block width | | 18h7 | 18h7 | 18h7 | 18h7 |
| Servo motor* | | HF154T-A48 | HF154T-A48 | HF154T-A48 | HF204S-A48 |
| Maximum motor speed | rpm | 4,000 | 4,000 | 4,000 | 4,000 |
| Speed reduction ratio | | 1/90 | 1/90 | 1/120 | 1/120 |
| Maximum table speed | rpm | 44.4 | 44.4 | 33.3 | 33.3 |
| Inertia converted into motor shaft | x 10 ⁻³ kg·m ² | .09 | .17 | .41 | .52 |
| Clamp system | | Pneumatic Disc Clamp | Pneumatic Disc Clamp | Pneumatic Disc Clamp | Pneumatic Disc Clamp |
| Clamp torque @72psi | Nm (ft. lbs.) | 250 (180) | 400 (295) | 600 (442) | 1,000 (737) |
| Indexing accuracy | arc sec. | ±12.5 | ±10 | ±10 | ±10 |
| Repeatability | arc sec. | ±3.5 | ±3.5 | ±3.5 | ±3.5 |
| Net Weight | kg (lbs.) | 44 (97) | 62 (136) | 107 (235) | 205 (451) |
| Allowable wheel torque | Nm (ft. lbs.) | 206 (152) | 288 (212) | 565 (416) | 939 (692) |
| Allowable work inertia | kg·m ² | .48 | 1.25 | 1.95 | 3.77 |
| Allowable work weight [with tailstock] | kg (lbs) | 75 (165) [150 (330)] | 100 (220) [250 (550)] | 100 (220) [250 (550)] | 150 (330) [350 (770)] |
| Allowable load when table clamped | Nm (ft. lbs.) | 7,840 (1,762) | 13,720 (3,085) | 13,720 (3,073) | 19,600 (5,555) |
| | Nm (ft. lbs.) | 392 (290) | 980 (723) | 980 (723) | 1960 (1445) |

Options & Accessories

Additional Accessories Available



T-Slotted Faceplates



3-Jaw Scroll Chucks



Manual Tailstock w/ MT2 Center



Support Spindle



Support Spindle w/ Pneumatic Clamp

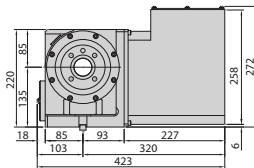


Pneumatic 5C Collet Chuck

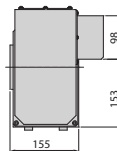
Dimensions = mm
 Specifications subject to change without notice

Rotary Table Dimensions

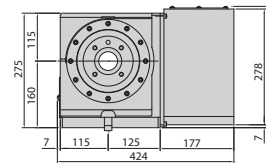
Reference Only • Detailed drawings available upon request



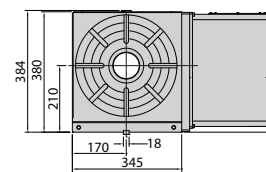
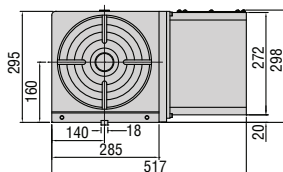
RNE-160



RNE-200



RNE-250



RNE-320