



**PLASMOTEC**

**Delivering the Complete Package**

**PLASTIC MOULDING TECHNOLOGY**



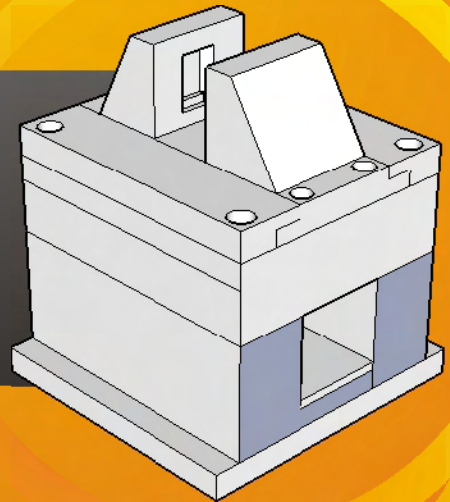


## DESIGN

- Concept
- Solid Modelling
- Prototypes
- Fill Simulation

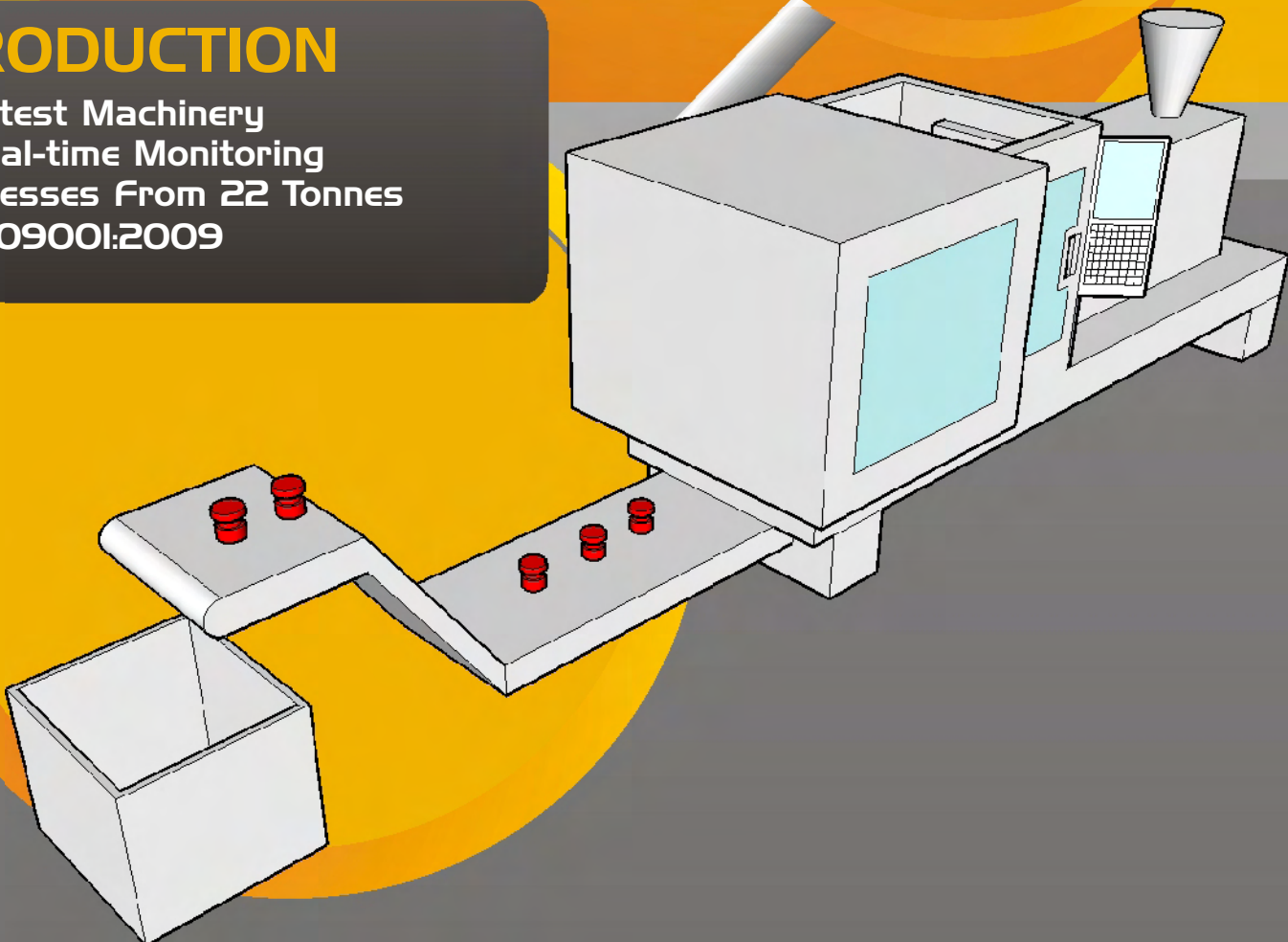
## TOOLMAKING

- 'In-house' Toolroom
- CAD/CAM
- Standard Tool Bases
- Low Cost Tooling Options



## PRODUCTION

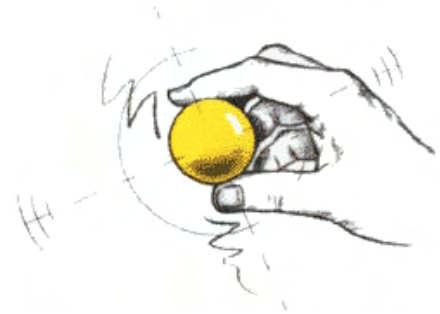
- Latest Machinery
- Real-time Monitoring
- Presses From 22 Tonnes
- ISO9001:2009



Delivering the Complete Package

## ABOUT PLASMOTEC

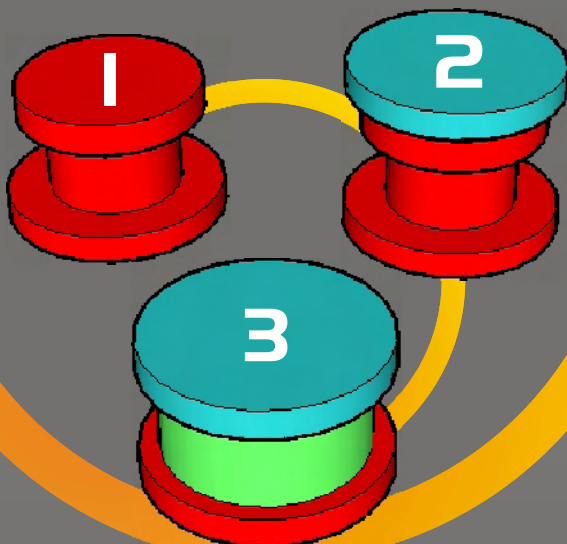
- Established in 1989
- Private Company
- 24 Hour Production
- Custom Mouldings
- Standard Parts
- Total Project Management



**PLASMOTEC**

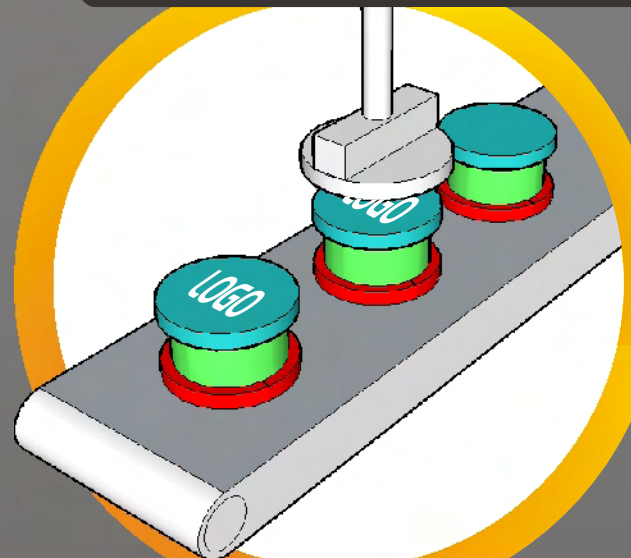
## ASSEMBLY

- Bespoke Fully Automatic Assembly
- Added Value Operations



## PRINT/PACKING

- Pad Printing
  - Automatic
  - Manual
- Custom Packing





# PLASMOTEC

## Building Products

Plasmotec supplies a range of Standard and Custom moulded parts for the construction and allied trades.

### Products include:

- Window & Door Components
- Roofline Products
- HVAC Components
- Conservatory Plastics
- Scaffolding Accessories
- Building Ventilation

### Materials moulded include:

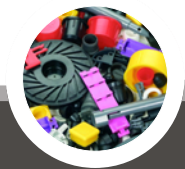
- ABS
- uPVC
- Polycarbonate

WARD ROAD, LINCOLN PARK  
BUCKINGHAM ROAD INDUSTRIAL ESTATE  
BRACKLEY, NORTHANTS  
NN13 7LE

TEL: 01280 701335  
FAX: 01280 701341  
EMAIL: [sales@plasmotec.co.uk](mailto:sales@plasmotec.co.uk)  
[www.plasmotec.co.uk](http://www.plasmotec.co.uk)

# SERVICES LIST

- Design
- Toolmaking
- Moulding
- Assembly
- Print
- Packaging



## PLASMOTEC LIMITED

WARD ROAD, LINCOLN PARK  
BUCKINGHAM ROAD INDUSTRIAL ESTATE  
BRACKLEY, NORTHANTS  
NN13 7LE

TEL: 01280 701335  
FAX: 01280 701341  
EMAIL: [sales@plasmotec.co.uk](mailto:sales@plasmotec.co.uk)

[www.plasmotec.co.uk](http://www.plasmotec.co.uk)