



**PLASMOTEC**

**Delivering the Complete Package**

**PLASTIC MOULDING TECHNOLOGY**



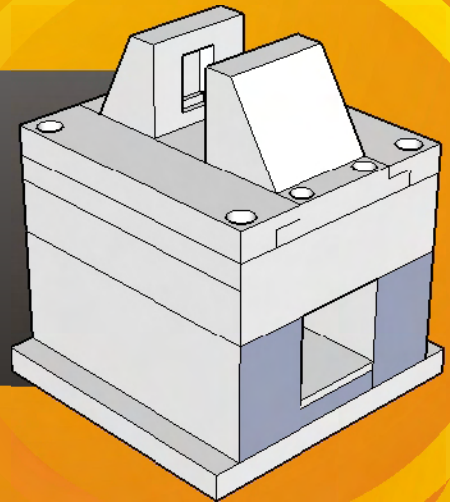


## DESIGN

- Concept
- Solid Modelling
- Prototypes
- Fill Simulation

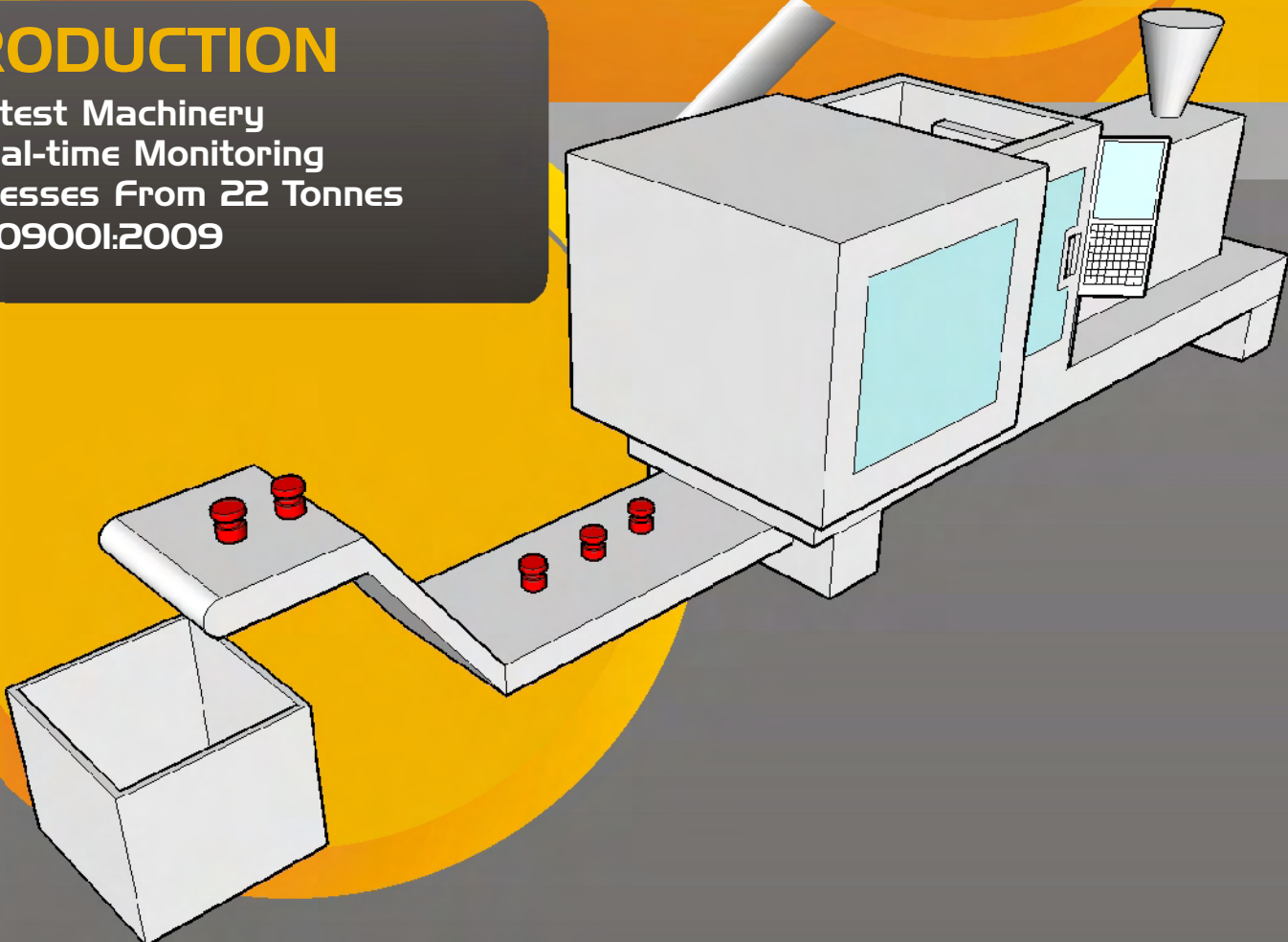
## TOOLMAKING

- 'In-house' Toolroom
- CAD/CAM
- Standard Tool Bases
- Low Cost Tooling Options



## PRODUCTION

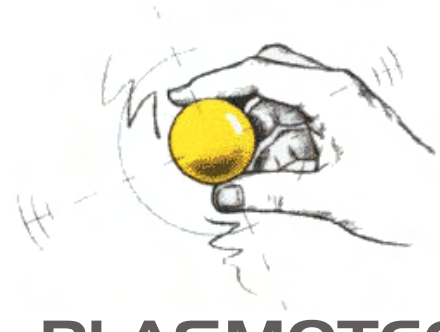
- Latest Machinery
- Real-time Monitoring
- Presses From 22 Tonnes
- ISO9001:2009



Delivering the Complete Package

## ABOUT PLASMOTEC

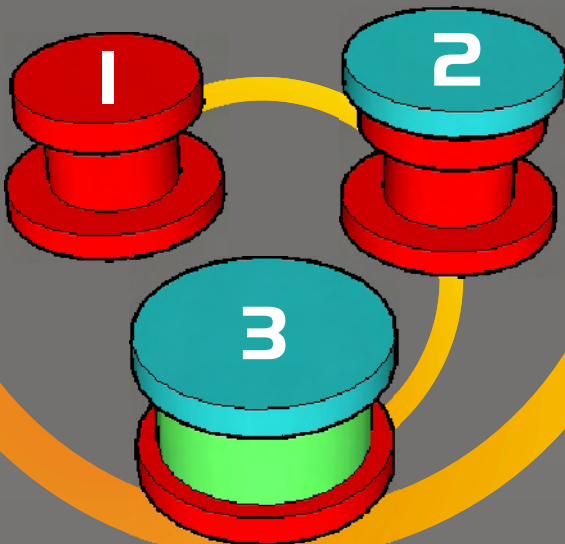
- Established in 1989
- Private Company
- 24 Hour Production
- Custom Mouldings
- Standard Parts
- Total Project Management



**PLASMOTEC**

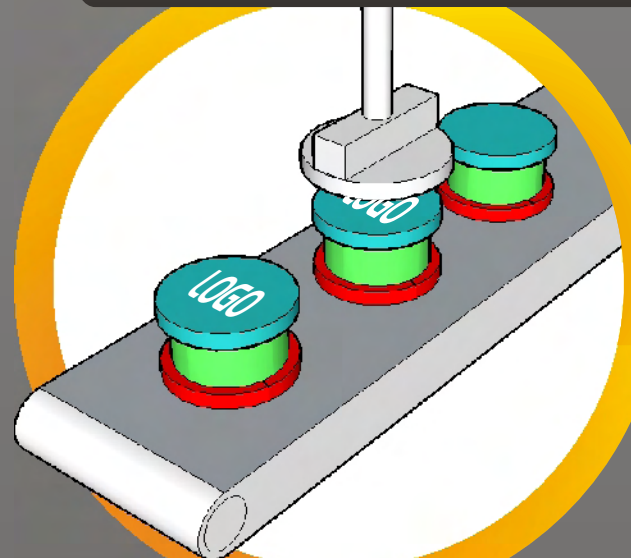
## ASSEMBLY

- Bespoke Fully Automatic Assembly
- Added Value Operations



## PRINT/PACKING

- Pad Printing
  - Automatic
  - Manual
- Custom Packing





# PLASMOTEC

## Custom Products

If your product is unique, or a variation on a theme, Plasmotec will help turn your concept into reality.

From the outset, we will be as involved as you want us to be. Our services include:

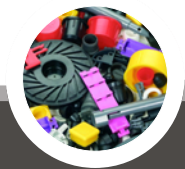
- Appraisal of the application to establish the right material for the job.
- Product design using the latest CAD and fill analysis software.
- Design optimisation for fit & function and ease of manufacture.
- Prototyping

The key benefit of 'in-house' design & manufacture is our focus in optimising the overall cost of the project

- Tool specification is matched to our customer's expectations.
- Tooling is designed to fit on the moulding machine that is the most effective for the product
- Runners and Gates are optimised to minimise waste
- Plasmotec has developed several standard mould bases, which means that the customer can have the option to only purchase inserts to fit within a suitable base
- Easy payment options, subject to status
- All tooling work will be designed 'in-house' to ensure that our specifications are built into the tooling and managed to ensure accepted lead times are maintained.

# SERVICES LIST

- Design
- Toolmaking
- Moulding
- Assembly
- Print
- Packaging



## PLASMOTEC LIMITED

WARD ROAD, LINCOLN PARK  
BUCKINGHAM ROAD INDUSTRIAL ESTATE  
BRACKLEY, NORTHANTS  
NN13 7LE

TEL: 01280 701335  
FAX: 01280 701341  
EMAIL: [sales@plasmotec.co.uk](mailto:sales@plasmotec.co.uk)

[www.plasmotec.co.uk](http://www.plasmotec.co.uk)