



PLASMOTEC

Delivering the Complete Package

PLASTIC MOULDING TECHNOLOGY



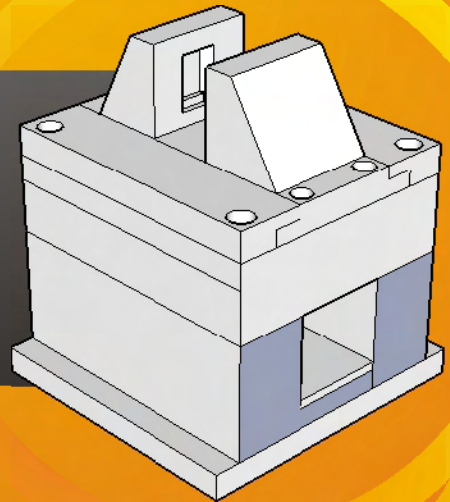


DESIGN

- Concept
- Solid Modelling
- Prototypes
- Fill Simulation

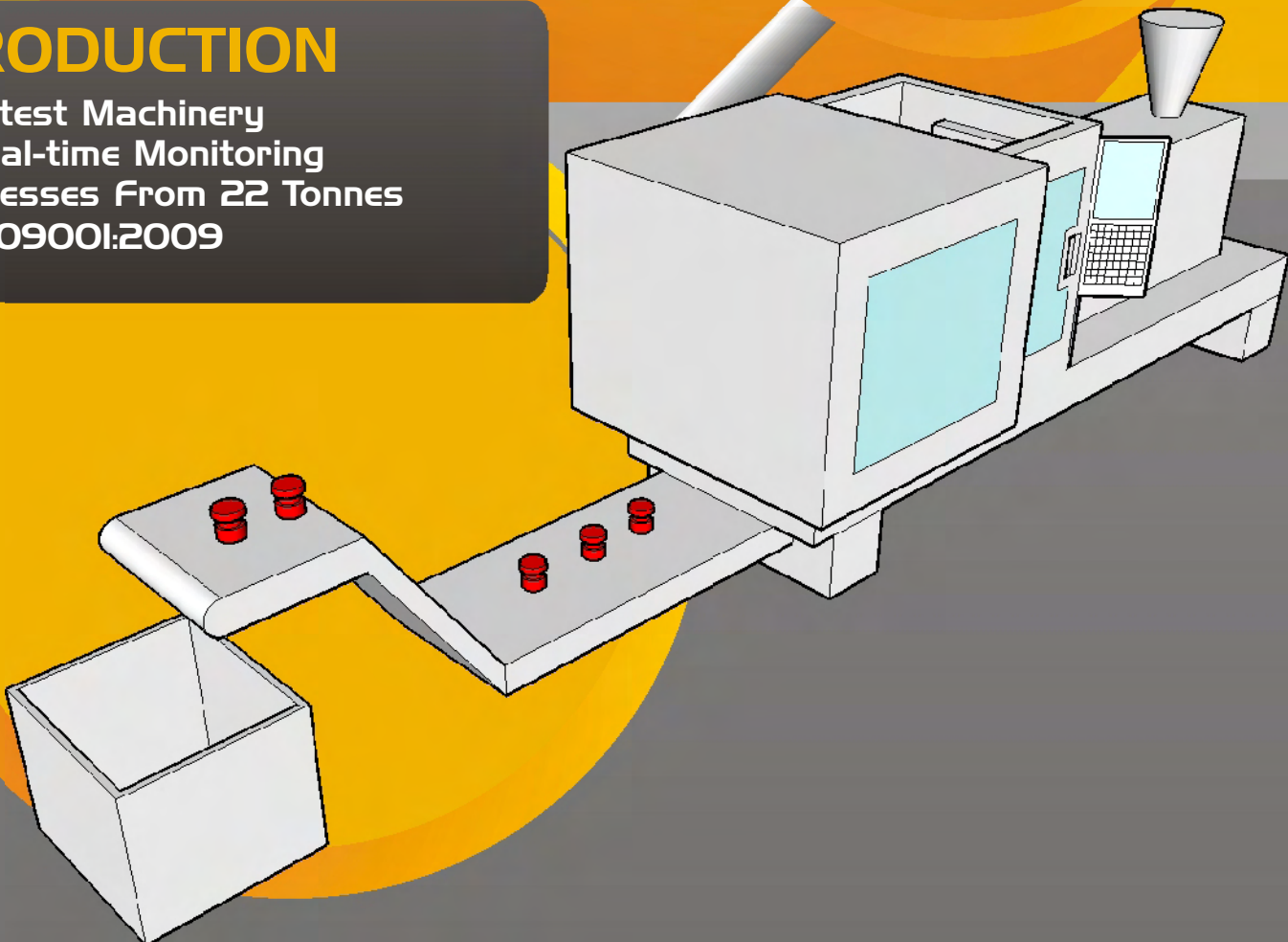
TOOLMAKING

- 'In-house' Toolroom
- CAD/CAM
- Standard Tool Bases
- Low Cost Tooling Options



PRODUCTION

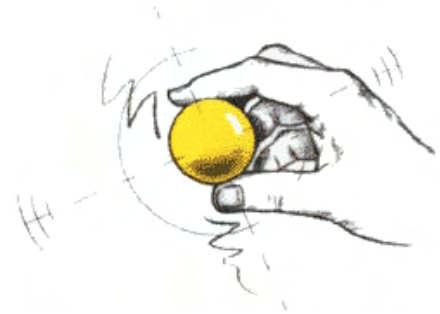
- Latest Machinery
- Real-time Monitoring
- Presses From 22 Tonnes
- ISO9001:2009



Delivering the Complete Package

ABOUT PLASMOTEC

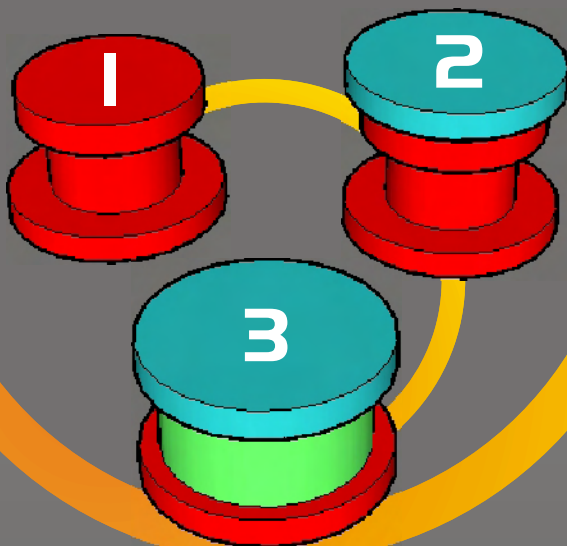
- Established in 1989
- Private Company
- 24 Hour Production
- Custom Mouldings
- Standard Parts
- Total Project Management



PLASMOTEC

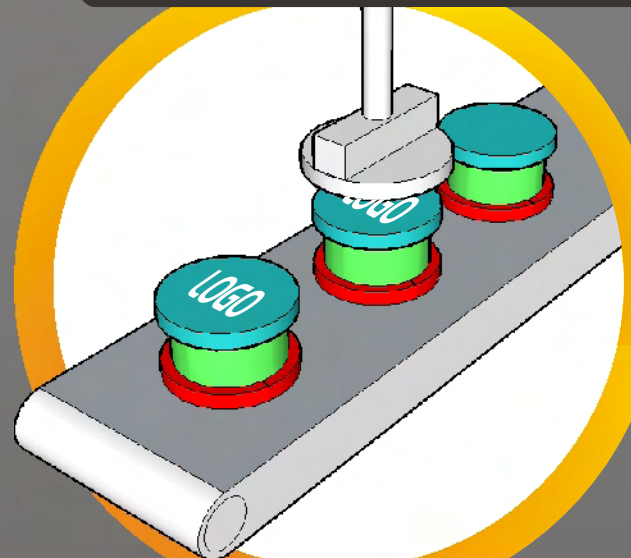
ASSEMBLY

- Bespoke Fully Automatic Assembly
- Added Value Operations



PRINT/PACKING

- Pad Printing
 - Automatic
 - Manual
- Custom Packing





PLASMOTEC

Medical/Pharmaceutical

Plasmotec provides a variety of Medical and Pharmaceutical related products.

Custom Products Include:

- Caps, Closures and Lids
- Applicators
- Scoops
- Measuring Cups
- Valves
- Nozzles
- Filters

Standard Products Include:

- Scoops
- Measuring Cups

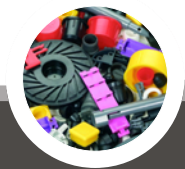
Please get in touch with details of your specific requirements.

WARD ROAD, LINCOLN PARK
BUCKINGHAM ROAD INDUSTRIAL ESTATE
BRACKLEY, NORTHANTS
NN13 7LE

TEL: 01280 701335
FAX: 01280 701341
EMAIL: sales@plasmotec.co.uk
www.plasmotec.co.uk

SERVICES LIST

- Design
- Toolmaking
- Moulding
- Assembly
- Print
- Packaging



PLASMOTEC LIMITED

WARD ROAD, LINCOLN PARK
BUCKINGHAM ROAD INDUSTRIAL ESTATE
BRACKLEY, NORTHANTS
NN13 7LE

TEL: 01280 701335
FAX: 01280 701341
EMAIL: sales@plasmotec.co.uk

www.plasmotec.co.uk